

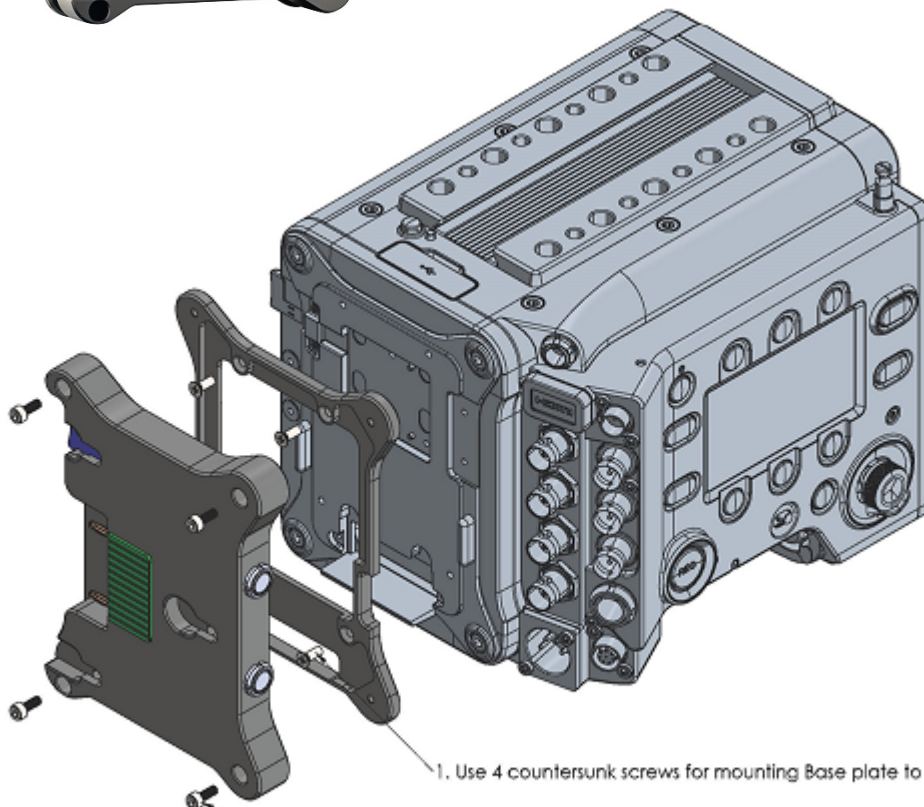
AMM VENICE

User Manual

WE STRONGLY RECOMMEND THAT YOU READ THIS INSTRUCTION BEFORE USING AMM-VENICE ADAPTER PLEASE KEEP THIS MANUAL FOR FUTURE REFERENCE



How to Mount the AMM-VENICE on the SONY Venice



1. Use 4 countersunk screws for mounting Base plate to the Camera

2. Connect 9 pole cable to both

3. Use 4 pan head screws to mount the Gold-Mount plate to the Base plate

Camera:

How to Mount the AMM-VENICE on the SONY AXS-R7 Recorder



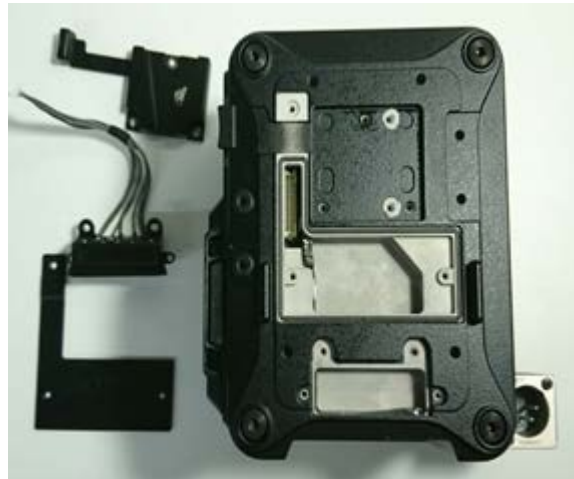
Unscrew the L-Shape Cover (3 Screw)



Unscrew the 5Pin connector (4 Screw)



Unscrew the V-Lock (3 HWX Screw)



Remove the parts



Plug the 9pin cable in and put it in place
Screw the Adapter Frame on (4 Screw M3x8)
Connect the 9pin Cable to the AMM VENICE Plate
Screw the AMM VENICE on (4 Screw M3x8)



Done!